

## Knee Implants



## Quadrofit Total Knee System

Quadrofit Total Knee System is designed and developed for use in cemented and cementless application of Total Knee arthroplasty.

The unique femoral cutting guide combines various functionalities in one component.

This enables the surgeon to shape the femur fast and accurate with only one guide positioning and fixing.

Quadrofit Total Knee system offers mobile and fixed insert options. This enables the surgeon to make the appropriate choice for the case.

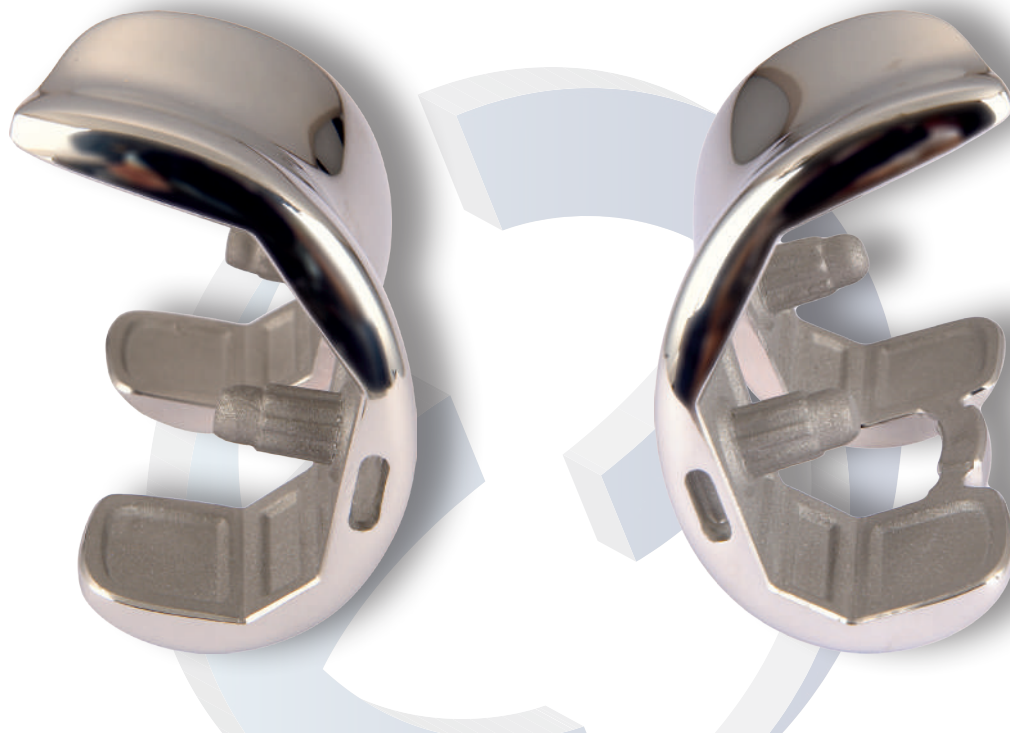
### Material

Total Knee System manufactured from:

- CoCrMo alloy according to ASTM F 75 - ISO 5832/4 for Femoral Component and Mobile Tibial Component
- Ti6Al4V ELI alloy according to ASTM F 136 - ISO 5832/3 for Fixing Tibial Component
- XL UHMWPE (Cross-Linked Ultra High Molecular Weight Polyethylene) according to ISO 5834/1-2 for Tibial Insert and Patella.



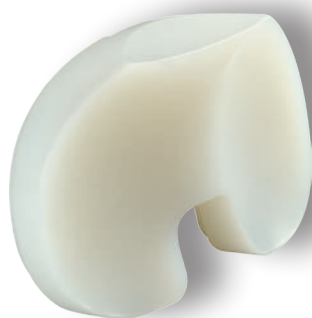
## Femoral Component



Quadrofit Standard Cemented Femoral Component (Sterile)		
Ref.Number	Size	Style
<b>CoCr</b>		
EB8101C000S	0	Right
EB8101C001S	1	Right
EB8101C002S	2	Right
EB8101C003S	3	Right
EB8101C004S	4	Right
EB8101C005S	5	Right
EB8102C000S	0	Left
EB8102C001S	1	Left
EB8102C002S	2	Left
EB8102C003S	3	Left
EB8102C004S	4	Left
EB8102C005S	5	Left

Quadrofit Posterior Stabilized Cemented Femoral Component (Sterile)		
Ref.Number	Size	Style
<b>CoCr</b>		
EB8121C000S	0	Right
EB8121C001S	1	Right
EB8121C002S	2	Right
EB8121C003S	3	Right
EB8121C004S	4	Right
EB8121C005S	5	Right
EB8122C000S	0	Left
EB8122C001S	1	Left
EB8122C002S	2	Left
EB8122C003S	3	Left
EB8122C004S	4	Left
EB8122C005S	5	Left

## Tibial Insert



Quadrofit Standart Tibial Insert (Sterile)						Pe Cross Linked
Ref.Number						Thickness
0	1	2	3	4	5	
EB8151U008S	EB8151U108S	EB8151U208S	EB8151U308S	EB8151U408S	EB8151U508S	8
EB8151U010S	EB8151U110S	EB8151U210S	EB8151U310S	EB8151U410S	EB8151U510S	10
EB8151U012S	EB8151U112S	EB8151U212S	EB8151U312S	EB8151U412S	EB8151U512S	12
EB8151U015S	EB8151U115S	EB8151U215S	EB8151U315S	EB8151U415S	EB8151U515S	15
EB8151U018S	EB8151U118S	EB8151U218S	EB8151U318S	EB8151U418S	EB8151U518S	18

Quadrofit Posterior Stabilized Tibial Insert (Sterile)						Pe Cross Linked
Ref.Number						Thickness
0	1	2	3	4	5	
EB8155U008S	EB8155U108S	EB8155U208S	EB8155U308S	EB8155U408S	EB8155U508S	8
EB8155U010S	EB8155U110S	EB8155U210S	EB8155U310S	EB8155U410S	EB8155U510S	10
EB8155U012S	EB8155U112S	EB8155U212S	EB8155U312S	EB8155U412S	EB8155U512S	12
EB8155U015S	EB8155U115S	EB8155U215S	EB8155U315S	EB8155U415S	EB8155U515S	15
EB8155U018S	EB8155U118S	EB8155U218S	EB8155U318S	EB8155U418S	EB8155U518S	18



Quadrofit Mb Standard Tibial Insert (Sterile)			Pe Cross Linked
Ref.Number			Thickness
0	2	4	
EB8251U008S	EB8251U208S	EB8251U408S	8
EB8251U010S	EB8251U210S	EB8251U410S	10
EB8251U012S	EB8251U212S	EB8251U412S	12
EB8251U015S	EB8251U215S	EB8251U415S	15
EB8251U018S	EB8251U218S	EB8251U418S	18



Quadrofit Mb Posterior Stabilized Tibial Insert (Sterile)			Pe Cross Linked
Ref.Number			Thickness
0	2	4	
EB8255U008S	EB8255U208S	EB8255U408S	8
EB8255U010S	EB8255U210S	EB8255U410S	10
EB8255U012S	EB8255U212S	EB8255U412S	12
EB8255U015S	EB8255U215S	EB8255U415S	15
EB8255U018S	EB8255U218S	EB8255U418S	18



## Tibial Component



Quadrofit Standard Cemented Tibial Component (Sterile)		
Ref.Number		Size
Ti	CoCr	
EB5361T000S	EB5361C000S	0
EB5361T001S	EB5361C001S	1
EB5361T002S	EB5361C002S	2
EB5361T003S	EB5361C003S	3
EB5361T004S	EB5361C004S	4
EB5361T005S	EB5361C005S	5

Quadrofit Mb Cemented Tibial Component (Sterile)			
Ref.Number			Size
Ti	CoCr	Tin Coated	
EB8261T000S	EB8261C000S	EB8263C000S	0
EB8261T001S	EB8261C001S	EB8263C001S	1
EB8261T002S	EB8261C002S	EB8263C002S	2
EB8261T003S	EB8261C003S	EB8263C003S	3
EB8261T004S	EB8261C004S	EB8263C004S	4
EB8261T005S	EB8261C005S	EB8263C005S	5

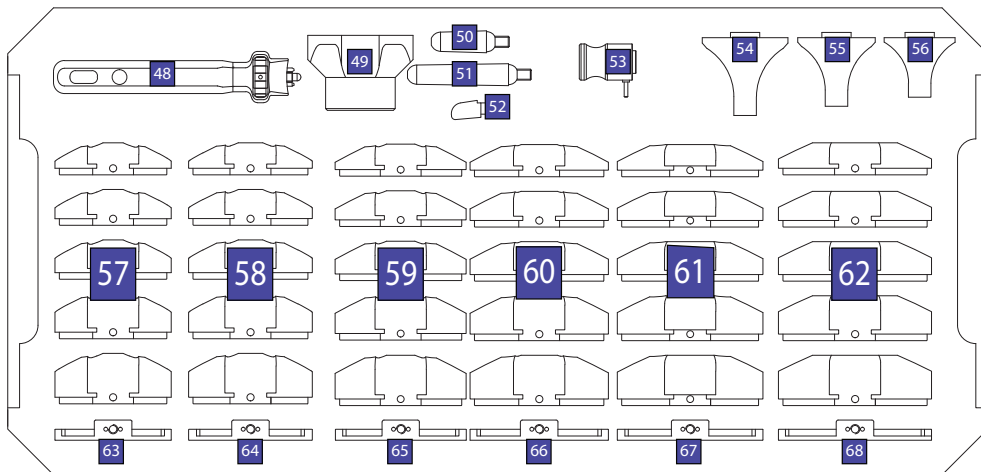
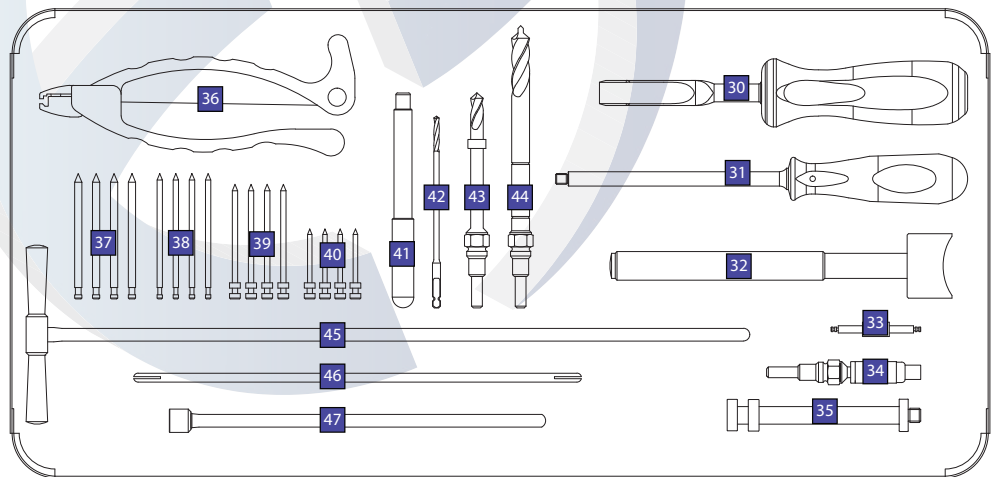
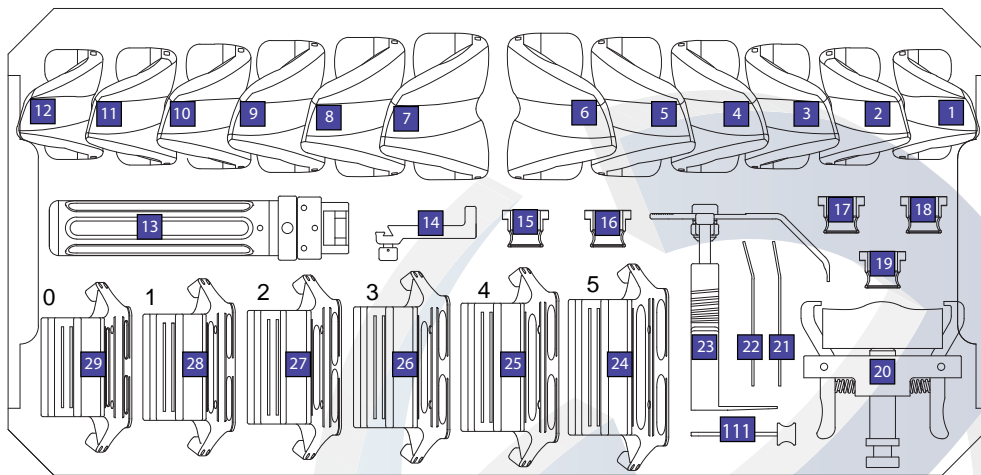


Quadrofit Insert Patella Component (Sterile)	
Ref.Number	Size
<b>Pe Cross Linked</b>	
EB8171U000S	0
EB8171U001S	1
EB8171U002S	2

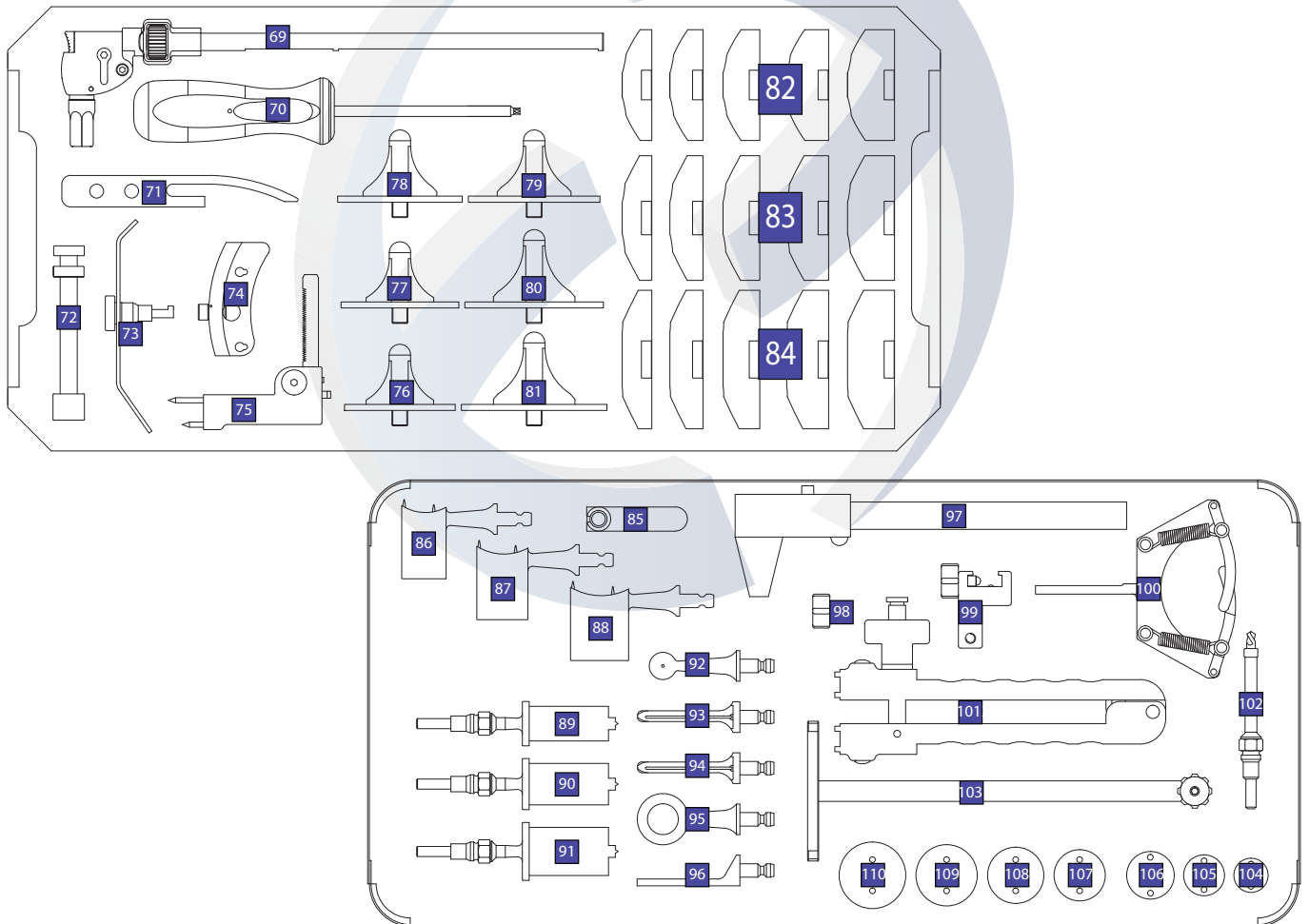
Quadrofit ReSurfacing Patella Component (Sterile)	
Ref.Number	Size
<b>Pe Cross Linked</b>	
EB8173U000S	0
EB8173U001S	1
EB8173U002S	2
EB8173U003S	3

Quadrofit Tibial Stem (Sterile)			
Ref.Number			Size
CoCr	Ti	Tin Coated	
EB8291C025S	EB5391T025S	EB8292C025S	25
EB8291C050S	EB5391T050S	EB8292C050S	50

## Quadrofit Total Knee System Trays & Instruments Set ( EK1102N001N )



## Quadrofit Total Knee System Trays & Instruments Set ( EK1102N001N )



## Quadrofit Total Knee System Trays & Instruments Set ( **EK1102N001N** )

No	Ref. Number	Description			
			31	EE0802N051N	Femoral Anterior Sizing Guide Handle
1	EE0856N100N	Femoral Component Test / Right - 0	32	EE0715N005N	Universal Femoral Component Impactor
2	EE0856N101N	Femoral Component Test / Right - 1	33	EE0856N010N	Posterior Stabilisation Shaft For Femoral Component Test
3	EE0856N102N	Femoral Component Test / Right - 2			
4	EE0856N103N	Femoral Component Test / Right - 3	34	EE0651S003N	Drill Adaptor For Total Knee System
5	EE0856N104N	Femoral Component Test / Right - 4	35	EE0852S033N	Punch Handle
6	EE0856N105N	Femoral Component Test / Right - 5	36	EE0110S051N	Nail Holder Pliers
7	EE0856N200N	Femoral Component Test / Left - 0	37	EE0652N670N	Nail For Total Knee System / Ø4,0 X 70
8	EE0856N201N	Femoral Component Test / Left - 1	38	EE0652N570N	Nail For Total Knee System / Ø3,2 X 70
9	EE0856N202N	Femoral Component Test / Left - 2	39	EE0652N255N	Nail For Total Knee System / Ø3,2 X 55
10	EE0856N203N	Femoral Component Test / Left - 3	40	EE0652N140N	Nail For Total Knee System / Ø2,7 X 30
11	EE0856N204N	Femoral Component Test / Left - 4	41	EE0712S001N	Impactor Pim For Total Knee System
12	EE0856N205N	Femoral Component Test / Left - 5	42	EE0651S032N	Drill For Total Knee System / Ø3,2
13	EE0852S032N	Slide Hammer For Total Knee System	43	EE0651S070N	Drill For Total Knee System / Ø7
14	EE0852S012N	Anterior Sizing Stylus	44	EE0651S100N	Drill For Total Knee System / Ø10
15	EE0802S069N	Femoral Anterior Sizing Guide Attachment / 9°	45	EE0802S055N	Intramedular Rod For Tibia
16	EE0802S066N	Femoral Anterior Sizing Guide Attachment / 6°	46	EE0851S171N	Telescope
17	EE0802S060N	Femoral Anterior Sizing Guide Attachment / 0°	47	EE0802S056N	Intramedular Rod For Femur
18	EE0802S063N	Femoral Anterior Sizing Guide Attachment / 3°	48	EE0851S010N	Tibial Component Test Handle For Total Knee System
19	EE0802S065N	Femoral Anterior Sizing Guide Attachment / 5°	49	EE0851S205N	Tibial Component Impactor
20	EE0852S105N	Femoral Component Impactor	50	EE0851S325N	Tibial Stem Test For Total Knee System / 25
21	EE0852S007N	Anterior Chamfer Wedge	51	EE0851S350N	Tibial Stem Test For Total Knee System / 50
22	EE0852S005N	Distal Wedge	52	EE0851N805N	Posterior Stabilization Attachment For Tibial Insert Test
23	EE0802S050N	Femoral Anterior Sizing Guide	53	EE0851S015N	Barrel
24	EE1201N005N	Femoral Cutting Guide / 5	54	EE0852S045N	Puncher / 4 – 5
25	EE1201N004N	Femoral Cutting Guide / 4	55	EE0852S043N	Puncher / 2 – 3
26	EE1201N003N	Femoral Cutting Guide / 3	56	EE0852S041N	Puncher / 0 – 1
27	EE1201N002N	Femoral Cutting Guide / 2		EE0855N008N	Tibial Insert Test / 0 – 8
28	EE1201N001N	Femoral Cutting Guide / 1		EE0855N010N	Tibial Insert Test / 0 – 10
29	EE1201N000N	Femoral Cutting Guide/ 0		EE0855N012N	Tibial Insert Test / 0 – 12
30	EE0852S004N	Notching Instrument		EE0855N015N	Tibial Insert Test / 0 – 15
				EE0855N018N	Tibial Insert Test / 0 – 18



## Quadrofit Total Knee System Trays & Instruments Set ( EK1102N001N )

58	EE0855N108N	Tibial Insert Test / 1 – 8	69	EE0851S151N	Tibial Guide	
	EE0855N110N	Tibial Insert Test / 1 - 10	70	EE0401N065N	Screwdriver For Total Knee System / 3,5	
	EE0855N112N	Tibial Insert Test / 1 - 12	71	EE0851S173N	Blade Runner	
	EE0855N115N	Tibial Insert Test / 1 - 15	72	EE0862S033N	Mb Punch Handle Attachment	
	EE0855N118N	Tibial Insert Test / 1 - 18	73	EE0851S172N	Tibial Stylus	
59	EE0855N208N	Tibial Insert Test / 2 - 8	74	EE1201N101N	90° Tibial Cutting Guide	
	EE0855N210N	Tibial Insert Test / 2 - 10	75	EE0851S125N	Tibial Support	
	EE0855N212N	Tibial Insert Test / 2 - 12	76	EE0861S000N	Mb Tibial Component Test / 0	
	EE0855N215N	Tibial Insert Test / 2 - 15	77	EE0861S001N	Mb Tibial Component Test / 1	
	EE0855N218N	Tibial Insert Test / 2 - 18	78	EE0861S002N	Mb Tibial Component Test / 2	
60	EE0855N308N	Tibial Insert Test / 3 - 8	79	EE0861S003N	Mb Tibial Component Test / 3	
	EE0855N310N	Tibial Insert Test / 3 - 10	80	EE0861S004N	Mb Tibial Component Test / 4	
	EE0855N312N	Tibial Insert Test / 3 - 12	81	EE0861S005N	Mb Tibial Component Test / 5	
	EE0855N315N	Tibial Insert Test / 3 - 15	82	EE0861N008N	Mb Tibial Insert Test / 0 - 8	
	EE0855N318N	Tibial Insert Test / 3 - 18		EE0861N010N	Mb Tibial Insert Test / 0 - 10	
61	EE0855N408N	Tibial Insert Test / 4 - 8		EE0861N012N	Mb Tibial Insert Test / 0 - 12	
	EE0855N410N	Tibial Insert Test / 4 - 10		EE0861N015N	Mb Tibial Insert Test / 0 - 15	
	EE0855N412N	Tibial Insert Test / 4 - 12		EE0861N018N	Mb Tibial Insert Test / 0 - 18	
	EE0855N415N	Tibial Insert Test / 4 - 15	EE0861N208N	Mb Tibial Insert Test / 2 - 8		
	EE0855N418N	Tibial Insert Test / 4 - 18	EE0861N210N	Mb Tibial Insert Test / 2 - 10		
62	EE0855N508N	Tibial Insert Test / 5 - 8	83	EE0861N212N	Mb Tibial Insert Test / 2 - 12	
	EE0855N510N	Tibial Insert Test / 5 - 10		EE0861N215N	Mb Tibial Insert Test / 2 - 15	
	EE0855N512N	Tibial Insert Test / 5 - 12		EE0861N218N	Mb Tibial Insert Test / 2 - 18	
	EE0855N515N	Tibial Insert Test / 5 - 15		EE0861N408N	Mb Tibial Insert Test / 4 - 8	
	EE0855N518N	Tibial Insert Test / 5 - 18		EE0861N410N	Mb Tibial Insert Test / 4 - 10	
63	EE0851S000N	Tibial Component Test For Total Knee System / 0	84	EE0861N412N	Mb Tibial Insert Test / 4 - 12	
64	EE0851S001N	Tibial Component Test For Total Knee System / 1		EE0861N415N	Mb Tibial Insert Test / 4 - 15	
65	EE0851S002N	Tibial Component Test For Total Knee System / 2		EE0861N418N	Mb Tibial Insert Test / 4 - 18	
66	EE0851S003N	Tibial Component Test For Total Knee System / 3		85	EE0853N561N	Patella Stylus
67	EE0851S004N	Tibial Component Test For Total Knee System / 4		86	EE0853N540N	Barrel For Patella Clamp / 0
68	EE0851S005N	Tibial Component Test For Total Knee System / 5	87	EE0853N541N	Barrel For Patella Clamp / 1	
			88	EE0853N542N	Barrel For Patella Clamp / 2	
			89	EE0853N550N	Patella Remaer / 0	
			90	EE0853N551N	Patella Remaer / 1	
			91	EE0853N552N	Patella Remaer / 2	

**Quadrofit Total Knee System  
Trays & Instruments Set ( EK1102N001N )**

92	EE0853N507N	Patella Clamp Attachment With Pointed Jaw
93	EE0853N511N	Patella Cutting Guide / Right
94	EE0853N512N	Patella Cutting Guide / Left
95	EE0853N525N	Patella Pressurizing Jaw
96	EE0853N528N	Drilling Template
97	EE0853S005N	Calliper Gauge
98/99	EE0851S153N	Tibial Guide Malleoler Pincer
100	EE0851S154N	Tibial Guide Malleoler Pincer Attachment
101	EE0853N505N	Patella Clamp
102	EE0651S050N	Drill For Total Knee System / Ø5
103	EE0851S152N	Tibial Guide Attachment
104	EE0857N100N	Patellar Component Test / 0
105	EE0857N101N	Patellar Component Test / 1
106	EE0857N102N	Patellar Component Test/ 2
107	EE0857N200N	Re-Surfacing Patellar Component Test / 0
108	EE0857N201N	Re-Surfacing Patellar Component Test / 1
109	EE0857N202N	Re-Surfacing Patellar Component Test / 2
110	EE0857N203N	Re-Surfacing Patellar Component Test / 3
111	EE0852S023N	Posterior Wedge